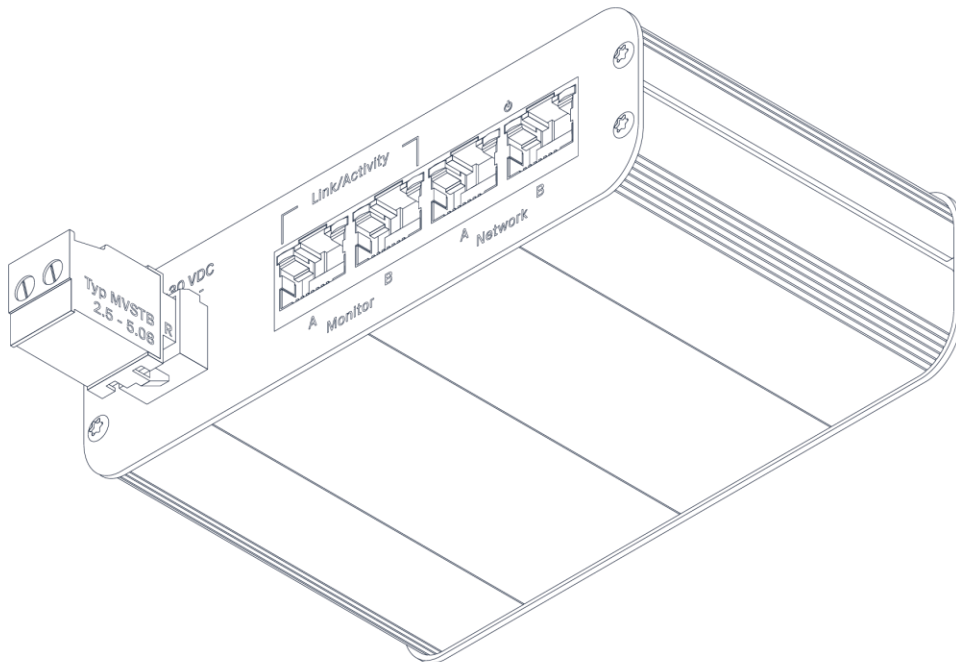


PROCENTEC

Member of the HMS group.



EtherMIRROR 10/100 & 1G

User manual V2.0.1

Important information

Procentec BV
Vlasmarkt 1
3011 PW, Rotterdam
The Netherlands

Tel.: +31-(0)174-671800
Fax: +31-(0)174-671801
Email: info@procentec.com

Document Updates

You can obtain constantly updated information on PROCENTEC products on the Internet at www.procentec.com

You can also contact PROCENTEC Customer Support:

- by phone at +31-(0)174-671800
- by fax at +31-(0)174-671801
- by email at support@procentec.com

Product Description

The EtherMIRROR avoids downtime in your 10/100/1000BaseT networks. Once in place it enables you to monitor full and half duplex communication and move test equipment without interrupting the Ethernet communication. It mirrors any packet size, bad CRC, VLAN traffic, and sees both ends of full-duplex links. So it does not filter, change or discard any message.

The “no packet loss” feature makes it ideal for industrial communication applications. The EtherMIRROR is transparent to the network. It is fault tolerant, bypasses data on power failure, and the monitor (TAP) ports are non-intrusive to the network.

Functional description

1.1 Interface connectors

The EtherMIRROR has four RJ45 ports, divided in 'Network' and 'Monitor' ports.

Network port A and B are hardwired together, and are used to connect to the network. One port must be directly connected to the device you wish to monitor (e.g. a controller or PLC), and the other must be connected to the first switch. When no power is applied to the EtherMIRROR, there is still a connection between the two network ports. For the 1G version however, applying or removing power will disrupt communication for about 1 second.

Monitor port A and B are not hardwired together, and cannot be used as switch ports. They only re-transmit the incoming data of their respective 'Network' port. These two 'Monitor' ports must be connected to the two EtherTAP ports. Figure 1 shows the internal connections, and Figure 2 displays how the EtherMIRROR connects to the EtherTAP.

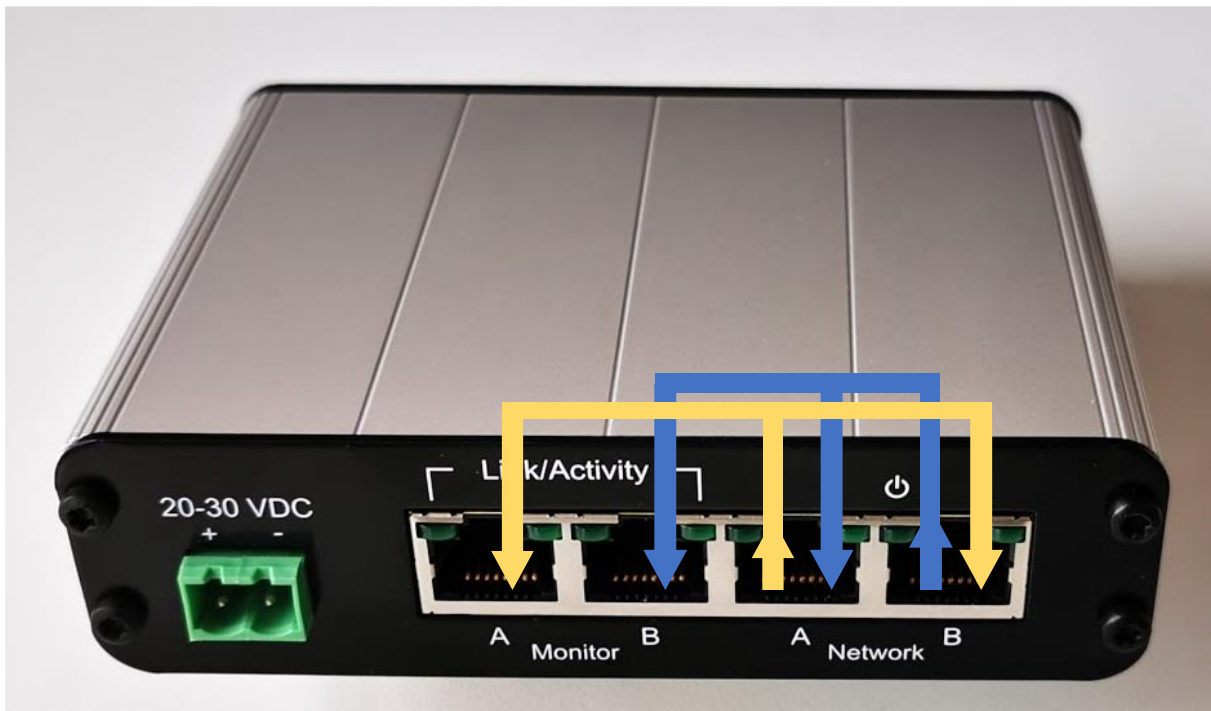


Figure 1 - Internal connections

Note that the 'Monitor' ports only have an outgoing direction, meaning that you cannot send anything on these ports, they are only used for receiving.

1.2 Power

1.2.1 EtherMIRROR 10-100

The EtherMIRROR 10-100 is powered from the front, using the 2-pin green screw terminal block. The uninterrupted link in the Network connections guarantees permanent network connectivity, also when power fails. However, no data is passed to the Monitor ports when the EtherMIRROR is not powered .

1.2.2 EtherMIRROR 1G

The EtherMIRROR 1G has two power inputs on the front. Only one is required, the other input serves as a redundant input and is optional.

The Network connection is permanent until the point when both power inputs fail. In that case there will be a short communication interruption of about 1 second. After that, communication is restored automatically. When only one power input fails and the other input is still active, the communication stays intact.

No data is passed to the Monitor ports when the EtherMIRROR is not powered.

1.3 LEDs

1.3.1 Power LED

10-100 version: If power is correctly applied, a green LED will illuminate above Network port B (the Power icon is indicated above it on the housing).

1G version: If power is correctly applied, a green LED will illuminate above Monitor port A and B (the Power icon is indicated above it on the housing). Both power inputs have their own numbered Power LED.

1.3.2 Network speed LEDs

Both versions have a network speed indicator. If a connection is active, the LEDs above the Network ports A and B indicate if it is a 10 Mbit (right LED of Network port B), a 100 Mbit (left LED of Network port A) or 1G-connection (both LEDs). If only one of the two Network ports is connected, the LEDs blink at 0.5 Hz to indicate that there is no connection.

1.3.3 Link and Activity LEDs

The Monitor ports have one LED each (marked on the housing) to indicate Activity and Link. Activity LED A lights up when a signal is received at port A, LED B for a signal received at port B. When there is no connection on both ports, the Activity LEDs stay off.

1.4 Installation

Install the EtherMIRROR between the PLC and the first switch in the network using Cat5 or better cable. Use the two right connections, marked as 'Network A and B'.

Connect an EtherTAP on the two left connections marked 'Monitor A and B'. See Figure 2.

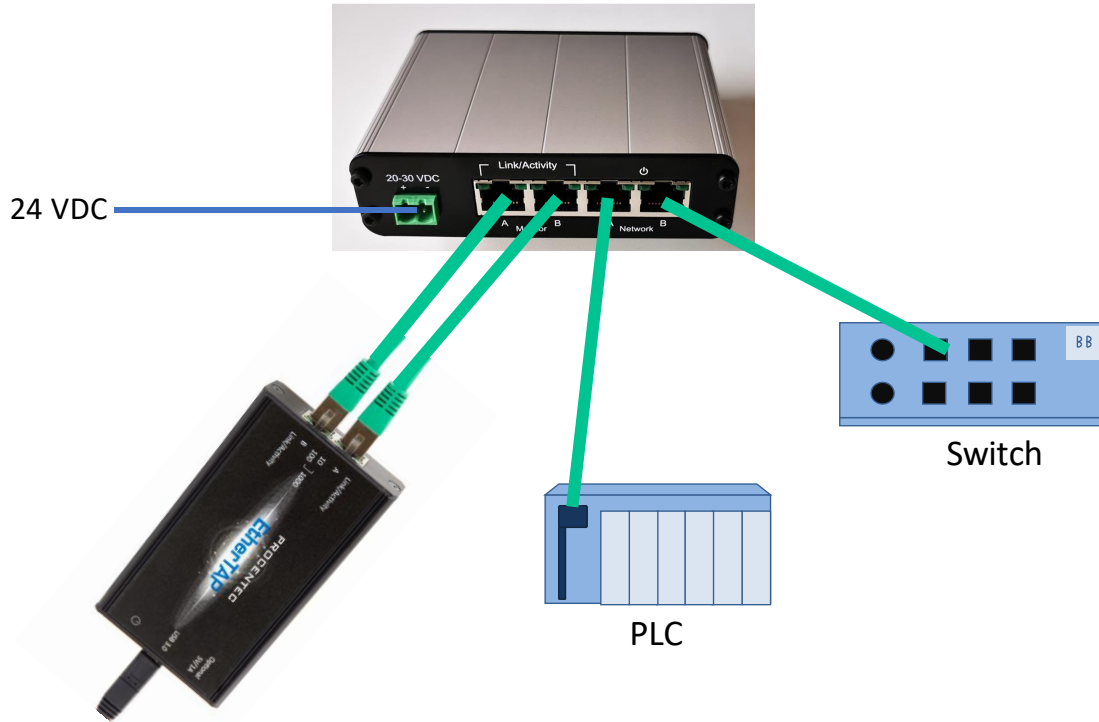


Figure 2 - Connecting the EtherTAP to the EtherMIRROR

1.5 Additional notes for EtherMIRROR 1G

If you want to monitor 1 Gbit networks, it is required to use 8-wire Cat5E Ethernet cable. 4-wire cable will not build a 1 Gbit connection. Also, an EtherTAP 1G is required.

10 or 100 Mbit connections can be monitored with 4-wire cables by the 1G version without any problem.

Technical Data EtherMIRROR 10/100 and 1G

Technical Data	EtherMIRROR 10-100	EtherMIRROR 1G
Dimensions and weight		
Dimensions L x H x D (mm)	113 x 30 x 88 mm, excluding connectors	113 x 30 x 133 mm, excluding connectors
Weight	210 gr	326 gr
Mounting	35mm DIN rail	35mm DIN rail
Ambient conditions		
Operating temperature	0°C to +70°C	0°C to +70°C
Storage temperature	-40°C to +120°C	-40°C to +120°C
Humidity	10% to 95%, non-condensing	10% to 95%, non-condensing
Isolation class	IP20	IP20
Protocol specifications		
Supported Protocols	All Ethernet protocols, all 7 OSI layers. Data is mirrored 1-on-1.	All Ethernet protocols, all 7 OSI layers. Data is mirrored 1-on-1.
Transmission speeds	10 and 100 Mbit/s	10, 100 and 1000 Mbit/s
Data delay time	< 1 ns	< 1 ns
Connections	4x RJ45, 8-pin (4 pins required: 1, 2, 3 and 6)	4x RJ45, 8-pin (all pins required for 1Gbit)
Power supply specifications		
Power supply voltage	20 – 30 VDC, stabilized	2x 20 – 30 VDC, stabilized
Current consumption	50 mA @ 24 VDC	90 mA @ 24 VDC
Wire diameter	< 2.5 mm ²	< 2.5 mm ²

Sales offices and distributors

HEADQUARTERS

PROCENTEC
Vlasmarkt 1
3011 PW, Rotterdam
Netherlands

T: +31-(0)174-671800
F: +31-(0)174-671801
E: info@procentec.com
I: www.procentec.com

ARGENTINA

eFALCOM
Alcorta 2411
B1744 - Moreno
Buenos Aires
Argentina

T: +54 237 46 31 151
F: +54 237 46 31 150
E: santiago.falcomer@efalcom.com
I: www.efalcom.com.ar

BELGIUM and LUXEMBOURG

Bintz Technics N.V.
Brixtonlaan 23
B-1930 Zaventem
Belgium

T: +32 2 720 49 16
F: +32 2 720 37 50
E: bloemen@bintz.be
I: www.bintz.be

BRAZIL

Westcon Instrument. Indl Ltda
Rual Alvaro Rodrigues, 257
São Paulo – SP
Brazil - CEP 04582-000

T: +55 11 5561-7488
F: +55 11 5093-2592
E: paolo@wii.com.br
I: www.wii.com.br

CANADA

Streamline Process Management Inc.
#3, 4351 – 104 Ave SE
Calgary, Alberta T2C 5C6
Canada

T: +1 403 225 1986
F: +1 587 585 2828
E: admin@streamlinepm.com
I: www.streamlinepm.com

JCom Automation
1115 Whitefield Dr.
K9J 7P4, Ontario
Canada

T: 1 705 868 8745
I: www.jcomautomation.ca

CHILE

RP Ingenieria Limitada
Tucapel 92 oficina 52
Concepción
Chile

T: +56-(0)41-2469350
F: +56-(0)41-2522592
E: rodrigopinto@rpingeneria.cl
I: www.rpingeneria.cl

CHINA

PROCENTEC Beijing
Room E-1115 WangJingYuan YouLeHui
ChaoYang
Beijing
China

T: +86(10)84766911 or 84787311
F: +86(10)84766722
E: info@procentec.net
I: www.procentec.net

CZECH REPUBLIC

FOXON s.r.o.
Polní 367
460 01 Liberec 12
Czech Republic

T: +420 484 845 555
F: +420 484 845 556
E: foxon@foxon.cz
I: www.foxon.cz

DENMARK

ProSaiCon
Jernbanegade 23B
DK 4000 Roskilde
Denmark

T: +45 70 20 52 01
F: +45 70 20 52 02
E: hfj@prosaicon.dk
I: www.prosaicon.dk

EGYPT

MTSE
7, Amin Annis St., 4th Sec.
11341 Cairo
Egypt

T: +20 2 241 475 07
F: +20 2 229 031 60
E: hassan.mahdy@mtse.com.eg
I: www.mtse.com.eg

ESTONIA

Saksa Automaatika OU
Peterburi Tee 49
Tallinn
EE-11415 Estonia

T: +372 605 2526
F: +372 605 2524
E: info@saksa-automaatika.ee
I: www.saksa-automaatika.ee

FINLAND

Hantekno Oy
Kalliotie 2
04360 Tuusula
Finland

T: +358 40 8222 014
E: info@hantekno.com
I: www.hantekno.fi

FRANCE

AGILICOM
Bâtiment B
1, rue de la Briaudière
Z.A. La Châtaigneraie
37510 BALLAN-MIRE
France

T: +33 247 76 10 20
F: +33 247 37 95 54
E: jy.bois@agilicom.fr
I: www.agilicom.fr

GERMANY

PROCENTEC GmbH
Rittnertstraße 19
D-76227 Karlsruhe
Germany

T: +49-(0)721 831 663-0
F: +49-(0)721 831 663-29
E: info@procentec.de
I: www.procentec.de

GREECE

ETA ENERGEIA Ltd
165 Philadelphias str.
Acharnai ,Athens
Greece

T: +30 6945670846
F: +30 2310517103
E: info@eta.gr
I: www.eta.gr/en

INDIA

UL Engineering Services & Software Pvt Ltd
Nirman Classic,
Katraj-Kondhwa Road,
Katraj, Pune-411046
India

T: +91-202 696 0050
F: +91-202 696 2079
E: dileep.miskin@ulepl.com
I: www.ulepl.com

Automation Combine
B.R House, 4th Floor
Hennur Main Road
Bangalore 560043, India

T: +98 452 84550
F: +93 421 37534
W: www.automationcombine.in

IRELAND

PROFIBUS Ireland
Automation Research Centre
University of Limerick
National Technology Park, Plassey
Limerick
Ireland

T: +353-61-202107 or +35361240240
F: +353-61-202582
E: info@profibus.ie
I: www.profibus.ie

ISRAEL

Instrumetrics Industrial Control
8 Hamlacha St.
New Industrial Zone
Netanya, 42170
Israel

T: +972-9-8357090
F: +972-9-8350619
E: info@instrumetrics-ic.co.il
I: www.inst-ic.co.il

ITALY

PROCEN TEC Italy
Via Branze n. 43/45
25123 Brescia
Italy

T: +39 030 200 8610
F: +39 030 238 0059
E: www.procentec.it
W: www.procentec.it

JAPAN

TJ Group
C/O Japanese PROFIBUS Organisation
West World Building 4F
3-1-6 Higashi-Gotanda,
Shinagawa-ku,
Tokyo, 141-0022
Japan

T: +81-3-6450-3739
F: +81-3-6450-3739
E: info@profibus.jp

KOREA

Hi-PRO Tech. Co., Ltd.
#2802, U-Tower, 1029
Youngduk-dong, Giheung-gu
Yongin-Si, Kyunggi-do,
446-908 Korea

T: +82 82-31-216-2640
F: +82 82-31-216-2644
E: chays@hiprotech.co.kr
I: www.profibus.co.kr

MEXICO

F&G GLOBAL Equipment
Rómulo Garza 205
Col. Industrias del Vidrio
San Nicolas de los Garza, NL

T: +81 1933 7754
E: ventas@FGequipment.com
W: www.fgequipment.com

NETHERLANDS

PROCEN TEC B.V.
Klopperman 16
2292 JD Wateringen
Netherlands

T: +31 (0)174 671800
F: +31 (0)174 671 801
E: info@procentec.com
I: www.procentec.com

NEW ZEALAND

Mantis Systems
34 Glasgow St.
Dunedin
New Zealand

T: +643 455 6072
F: +31 (0)174 671 801
E: tbaldock@mantis-sys.co.nz
I: www.mantis-sys.co.nz

NORWAY

Nortelco Automation AS
Johan Scharffenbergs vei 95
N-0694 Oslo
Norway

T: +47 22 57 61 00
E: post@nortelcoautomation.no
I: www.nortelcoautomation.no

PAKISTAN

OTC
Suite No. 4, 1st Floor Liberty Heights
Main Boulevard Gulberg
Lahore - 54660
Pakistan

T: +92 42 3587 2667-9 Ext. 117
F: +92 42 3587 2670
E: nsm@otc.com.pk
I: www.otc.com.pk

PERU

ControlWare
Jr. Los Silicios 5409
Los Olivos - L39
Peru

T: +51 1637 3735
F: +51 1528 0454
E: info@controlware.com.pe
I: www.controlware.com.pe

POLAND

INTEX Sp. z o.o.
ul. Portowa 4
44-102 Gliwice
Poland

T: +48 32 230 75 16
F: +48 32 230 75 17
E: intex@intex.com.pl
I: www.intex.com.pl

PORTUGAL

IndustrialSys
Rua Alexandre Herculano
Nº25,3530-144 Mangualde
Portugal

T: +351 96 716 1605
I: www.iindustrialsys.pt
E: joao.costa@industrialsys.pt

ROMANIA

S.C. SVT Electronics S.R.L.
Brăila 7
540331 Tg-Mure
Romania

T: +40 365 809 305
F: +40 365 809 305
E: sajgo.tibor@svt.ro
I: www.svt.ro

RUSSIA

Diagnostics and Monitoring
St. Lutova 4 – 60
398036, Lipetsk
Russia

T: +7 910 251 66 74
E: rubanova.oi@gmail.com

SAUDI ARABIA

ASM Process Automation
Al-Zahra Dist. – Attas st.
cross section with helmy Kutby St.
Villa no.25
Jeddah-21553
Saudi Arabia

T: +966 2 691 2741
F: +966 2 682 8943
E: info@asmestablishment.com
I: www.asmestablishment.com

SERBIA

MR Process Equipment
Tribalska 15
11050 Zvezdara
Serbia

T: +381 60 5140 513
E: mr@mrprocessequipment.com
I: www.mrprocessequipment.com

SINGAPORE / SOUTH EAST ASIA

Allegro Electronics
236 Serangoon Avenue 3 07-98
Singapore 550236

T: +65 628 780 63
E: sales@allegro.com.sg
I: www.allegro.com.sg

Gissmatic Automatisierung Pte Ltd (Malaysia)
318 Tanglin Road 01-34
Singapore 247979

T: +65 900 912 76
E: sales@gissmatic.com
I: www.gissmatic.com

SLOVAKIA

FOXON s.r.o.
Polní 367
460 01 Liberec 12
Czech Republic

T: +420 484 845 555
F: +420 484 845 556
E: foxon@foxon.cz
I: www.foxon.cz

SOUTH AFRICA

IDX
1 Weaver Street
Fourways
Johannesburg
South Africa – 2191

T: +27(11) 548 9960
F: +27(11) 465-8890
E: sales@idxonline.com
I: www.idxonline.com

SPAIN

LOGITEK, S.A
Ctra. de Sant Cugat, 63 Esc. B Planta 1ª
Rubí (BARCELONA), 08191
Spain
T: +34 93 588 6767
E: xavier.cardena@logitek.es
I: www.logitek.es

SWEDEN

Nortelco Automation AS
Johan Scharffenbergs vei 95
N-0694 Oslo
Norway
T: +47 22 57 61 00
E: post@nortelcoautomation.no
I: www.nortelcoautomation.no

SWITZERLAND

EME AG
Lohwisstrasse 50
CH-8123 Ebmatingen
Switzerland
T: +41 44 982 11 11
E: mhauri@eme.ch
I: www.eme.ch

TAIWAN

Orion Energy Technology
3F, No. 2, Aly. 6, Ln. 109, Sec. 2, Huanshan Rd.
Neihu District, Tapei City
114, Taiwan
T: +886 9 370 270 96
E: jackychiu76@gmail.com

TURKEY

Emikon Otomasyon
DES Sanayi sitesi 103 sokak
B-7 blok No:16 Yukari Dudullu / Umraniye
Istanbul 34776
Turkey
T: +90 216 420 8347
F: +90 216 420 8348
E: tolgaturunz@emikonotomasyon.com
I: www.emikonotomasyon.com

UNITED ARAB EMIRATES

Synergy Controls
907, IT Plaza Silicon Oasis :
Dubail
United Arab Emirates
T: +971 4 3262692
F: +971 4 3262693
E: sales@synergycontrols.ae

UNITED KINGDOM and N. Ireland

PROCENTEC UK
Digital World Center
1 Lowry Plaza, Suite 620
The Quays, Salford
M50 3UB Manchester
United Kingdom
T: +44-(0)753 430 7696
E: info@procentec.com
I: www.procentec.co.uk

iTech
Unit 1
Dukes Road
Troon
Ayrshire KA10 6QR
United Kingdom
T: +44 (0)1292 311 613
F: +44 (0)1292 311 578
E: sales@itech-troon.co.uk
I: www.itech-troon.co.uk

Parkelect Ltd.
84 Dargan Road
Belfast
BT3 9JU
N. Ireland
T: +44 2890 777743
F: +44 2890 777794
E: jgillan@parkelect.co.uk
I: www.parkelect.co.uk

UNITED STATES

Grid Connect Inc.
1630 W. Diehl Road
Naperville, Illinois 60563
USA
T: +1 630 245-1445
F: +1 630 245-1717
E: sales@gridconnect.com
I: www.gridconnect.com/procentec.html

VIETNAM

Bavitech Corporation
42 Truong Son Street
Ward 2, Tan Binh District
Ho Chi Minh City
Vietnam

T: +84-8-3547 0976
F: +84-8-3547 0977
E: hai.hoang@bavitech.com
I: www.bavitech.com

For the up to date list of the Sales Offices and Distributors see www.procentec.com/company/distributors/. If your country or region is not listed, please contact us. We are still searching for distributors who can cover complete areas or countries.

Order codes

Component	Order code	Remarks
EtherMIRROR 10/100 Mbit	513-00031	
works together with: EtherTAP 10/100	513-00011A	
EtherMIRROR 1G	513-00032	
works together with: EtherTAP 1G	513-00021A	

About PROCENTEC

PROCENTEC are an independent Dutch company that supply products, training and consultancy to the Industrial Automation Market. Of primary focus is the development and manufacturing of automation products for PROFIBUS, PROFINET and Industrial Ethernet.

Some of our products are the most recognized solutions on the Market today. **ProfiTrace**, our mobile troubleshooting and maintenance tool has established itself as one of the most pioneering, yet essential tools available to engineers. In contrast our robust **ProfiHub** has, over the last decade, established itself as the go-to solution for ensuring a reliable network infrastructure. The combination of these products within our **ComBricks** solution has seen PROCENTEC become the primary manufacturer of network components with the integrated capability for remote monitoring and remote asset-management.

Our training facility, the **PROCENTEC Academy**, has certified over 4000 engineers to implement and maintain their PROFIBUS and PROFINET networks to the highest standards available.

The PROCENTEC **Competence Centre** has established itself as the leading consultancy on PROFIBUS and PROFINET projects worldwide, advising on architecture, engineering, training and commissioning. Once a network is commissioned, we have experts available 24/7 to answer questions with maintenance or help troubleshooting a problem.

Products

- Atlas and Mercury
- Osiris Software
- EtherTAP and EtherMIRROR
- ProfiHub
- ProfiTrace
- ComBricks
- VPGate
- PROFINET tools
- Cables & Connectors

Services

- On-site & Online Support
- Network Audit
- Network Certification
- Consultancy
- Testlab & Democenter
- Competence Center

Training

- PROFIBUS training courses
- PROFINET training courses
- Product training courses



Your network partner.

PROCENTEC Commercial Office

Vlasmarkt 1
3011 PW, Rotterdam

PROCENTEC Delft

Stationsplein 10
2611 BV, Delft

Tel. 0174-671 800
Fax 0174-671 801
Email info@procentec.com